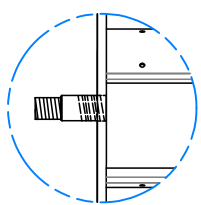
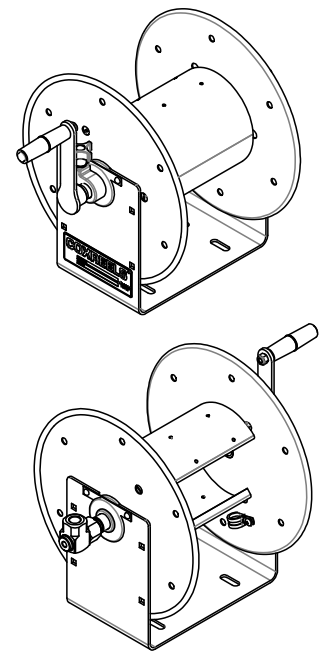
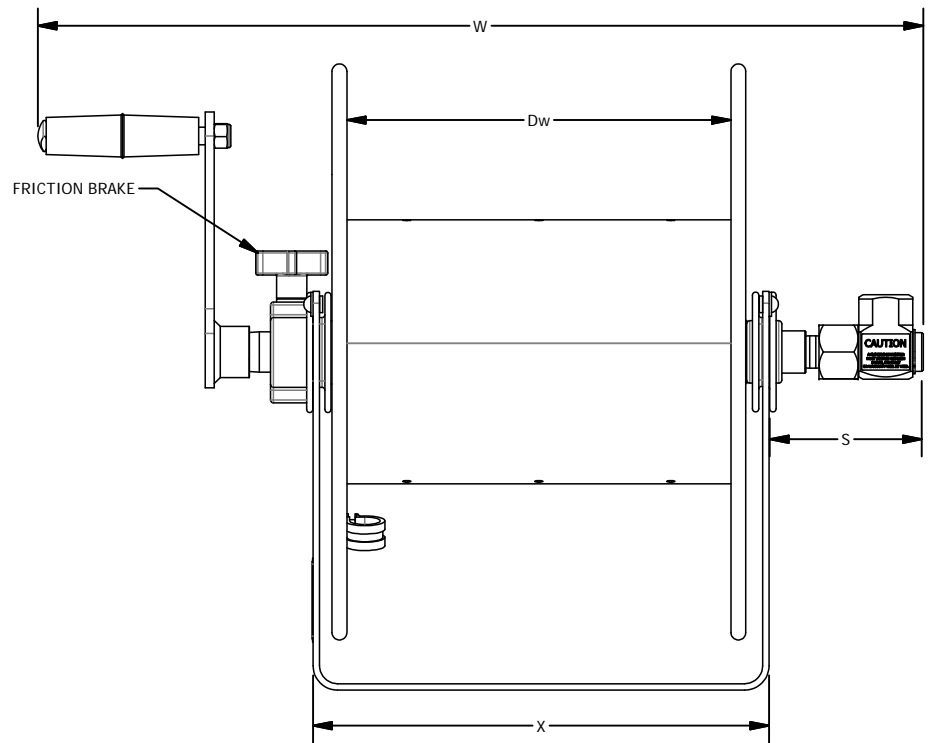
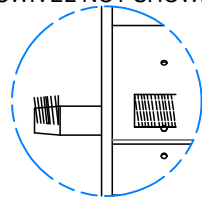


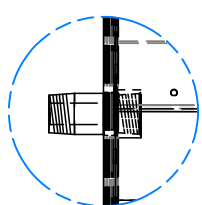
INTERNAL CONNECTIONS
(SWIVEL NOT SHOWN)



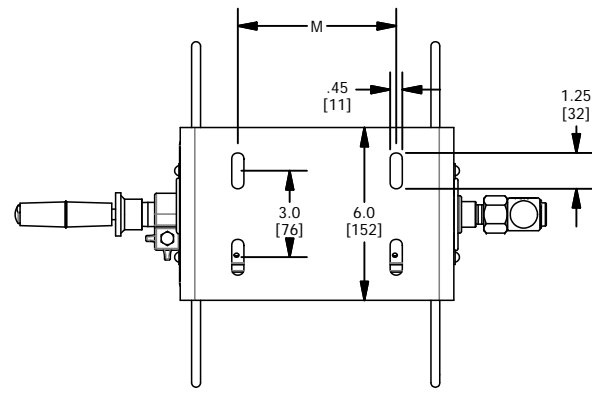
3/8" FITTINGS



1/2" FITTINGS



3/4" FITTINGS



MODEL	DIM "S" in[mm]	DIM "H" in[mm]	DIM "L" in[mm]
112-3 (3/8")	2.47 [63]	13 [330]	12 [305]
117-3 (3/8")	2.47 [63]	18 [457]	17 [432]
112-4 (1/2")	2.69 [68]	13 [330]	12 [305]
117-4 (1/2")	2.69 [68]	18 [457]	17 [432]
117-5 (3/4")	3.78 [96]	18 [457]	17 [432]

PART NUMBER

CAPACITY COLOR

11X - X - XX - XXX

MODEL: PLUMBING SIZE PLUMBING & SWIVEL OPTIONS
 2 = 12" DISC 3 = 3/8" 1 = 1/2" 2 = 3/4"

MODEL	PLUMBING SIZE	dW in[mm]	W in[mm]	M in[mm]	X in[mm]	1/4" (1/2" OD) CAPACITY ft[m]	3/8" (5/8" OD) CAPACITY ft[m]	1/2" (7/8" OD) CAPACITY ft[m]	3/4" (1.25" OD) CAPACITY ft[m]	WEIGHT lb[kg]
112-3-50	3/8"	4.5 [114]	14.5 [368]	4" [102]	6 [152]	85 [26]*	50 [15]	-	-	15 [6.8]
112-3-100	3/8"	8 [203]	18.25 [464]	5.5" [140]	9.5 [241]	150 [46]*	100 [30]	-	-	19 [8.6]
112-3-150	3/8"	12.5 [317]	22.75 [588]	10" [254]	14 [355]	225 [69]*	150 [46]	-	-	21 [9.5]
117-3-250	3/8"	8 [203]	18.25 [464]	5.5" [140]	9.5 [241]	350 [107]*	250 [76]	-	-	30 [14]
117-3-400	3/8"	12.5 [317]	22.75 [588]	10" [254]	14 [355]	550 [168]*	400 [122]	-	-	33 [15]
117-3-550	3/8"	18 [457]	28.25 [718]	15.5" [394]	19.5 [495]	800 [268]*	550 [168]	-	-	35 [16]
112-4-75	1/2"	12.5 [317]	22.75 [588]	10" [254]	14 [355]	-	100 [30]*	75 [23]	-	21 [9.5]
117-4-225	1/2"	12.5 [317]	22.75 [588]	10" [254]	14 [355]	-	315 [96]*	225 [69]	-	31 [14]
117-4-350	1/2"	18 [457]	28.25 [718]	15.5" [394]	19.5 [495]	-	450 [137]*	350 [107]	-	37 [17]
117-5-100	3/4"	12.5 [317]	23.25 [591]	10" [254]	14 [355]	-	-	150 [46] *	100 [30]	35 [16]

* DENOTES HIGHER CAPACITY WHEN A REDUCER IS USED- MAY LOWER MAXIMUM PRESSURE LIMITS

SPECIFICATIONS		
FEATURE	SPEC.	OPTION
PRESSURE	4000 PSI [275 BAR]	-
TEMPERATURE	-40 F TO 225 F [-40 C TO 107 C]	-60 F TO 400F (SEAL DEPENDANT) [-51 C TO 204 C]
INLET THREAD	NPT FEMALE	GARDEN HOSE KIT
OUTLET THREAD	NPT FEMALE	-

MATERIAL SPECIFICATIONS		
COMPONENT	MATERIAL	OPTIONS
PLUMBING	STEEL	302 STAINLESS STEEL
SWIVEL	BRASS (3/8" - 3/4")	316 STAINLESS STEEL (ALL)
SEALS	NITRILE	VITON, EPDM
REEL	STEEL	304 STAINLESS STEEL
BEARINGS	HDPE	-
FINISH	BLUE POWDER COAT (STAINLESS-POLISHED (SS))	RED(R), GREEN(N), WHITE(W), BLACK [WRINKLE(C)/GLOSS(K)], GREY(G)

UNLISTED OPTIONS & CUSTOM REELS

NOT ALL OPTIONS ARE LISTED, CONTACT YOUR SALES REPRESENTATIVE OR FACTORY FOR ADDITIONAL OPTIONS & CUSTOM MODIFICATIONS

COXREELS

5865 S Ash Avenue Tempe, Az 85283
 1-800-COX-REEL www.coxreels.com

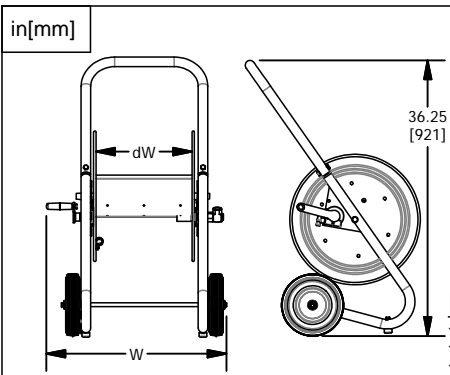
THIS DOCUMENT CONTAINS PROPRIETARY INFORMATION AND IS THE PROPERTY OF COXREELS, INC. THE COPYING, DISTRIBUTION AND UTILIZATION OF THIS DOCUMENT AS WELL AS COMMUNICATION OF ITS CONTENT TO OTHERS WITHOUT THE WRITTEN AUTHORIZATION OF COXREELS, INC., IS PROHIBITED.

TITLE: **100 SERIES CHALLENGER**

DWG. NO.: **100 SERIES** REV. -

3RD ANGLE INTERPERT PER ASME : Y14.5M-1994 SIZE: **A**

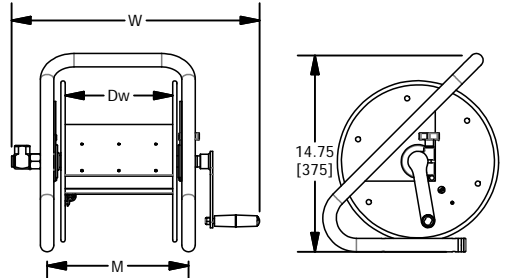
DO NOT SCALE DWG. SHT:1 OF:2



CM AND DM									
MODEL	PLUMBING SIZE	dW	W	M	1/4" (1/2" OD) CAPACITY ft[m]	3/8" (5/8" OD) CAPACITY ft[m]	1/2" (7/8" OD) CAPACITY ft[m]	WEIGHT lb[kg]	
CM SERIES									
112-3-100-CM	3/8"	8	18.5	10.5	150 [46]*	100 [30]		18 [8.2]	
112-3-150-CM	3/8"	12.5	23	10.5	225 [69]*	150 [46]		22 [9.9]	
117-4-225-CM	1/2"	12.5	23	10.5		315 [96]*	225 [69]	28 [13]	
DM SERIES									
117-3-200-DM	3/8"	8	19		350 [107]*	200 [61]		37 [17]	
117-4-225-DM	1/2"	12.5	23.5			315 [96]*	225 [69]	39 [18]	

* DENOTES HIGHER CAPACITY WHEN A REDUCER IS USED- MAY LOWER MAXIMUM PRESSURE LIMITS

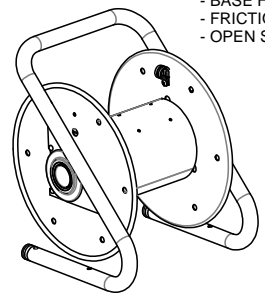
- DM SERIES**
- 3-PIECE 1.25" STEEL TUBING
 - SOLID 8" TIRES
 - REMOVABLE HANDLE
 - FRICTION BRAKE STANDARD



- CM SERIES**
- 1 PIECE STEEL TUBING FRAME
 - FRICTION BRAKE STANDARD
 - BASE HOLES DRILLED FOR INSTALL

112Y CM SERIES

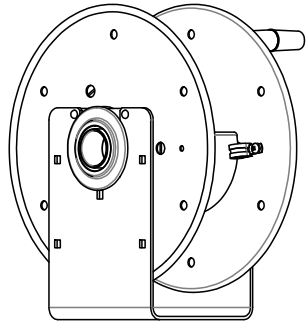
- 1 PIECE STEEL TUBING FRAME
- BASE HOLES DRILLED FOR INSTALL
- FRICTION BRAKE STANDARD
- OPEN SIDE PORT



STORAGE REELS

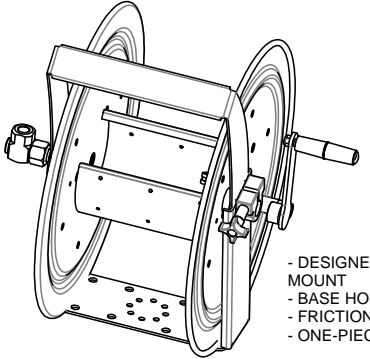
112Y SERIES					CAPACITY ft[m] HOSE I.D.		WEIGHT lbs[kg]
MODEL	8/3	10/3	12/3	16/3	3/8"	1/2"	
112Y-4	40 [12]	75 [23]	150 [45]	300 [91]	50 [15]	30 [9]	10 [4.5]
112Y-8	80 [24]	135 [41]	300 [91]		100 [30]	55 [17]	14 [6.3]
112Y-12	150 [46]	225 [69]			150 [45]	75 [23]	20 [9]
112Y-8-CM	80 [25]	135 [41]	300 [91]		100 [30]	55 [17]	13 [5.9]
112Y-12-CM	150 [46]	225 [69]			150 [45]	75 [23]	19 [8.6]

ALL DIMENSIONS ARE THE SAME AS 112 SERIES ON PAGE 1 MINUS THE SWIVEL

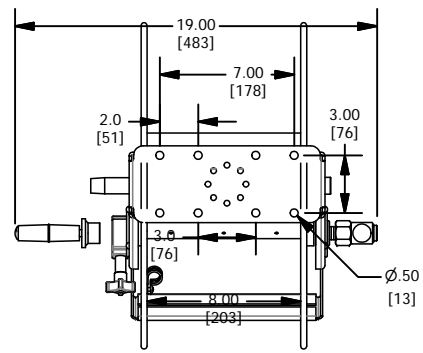


- 112Y SERIES**
- SOLID 10GA U-SHAPED FRAME
 - MOUNT HOLES PRE-EXISTING
 - FRICTION BRAKE STANDARD
 - OPEN SIDE PORT

SM SERIES

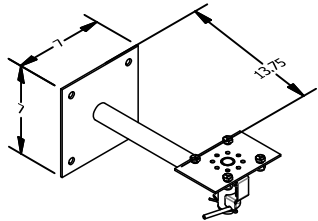


- DESIGNED TO BE MOUNTED ON SWIVEL MOUNT
- BASE HOLES DRILLED FOR INSTALL
- FRICTION BRAKE STANDARD
- ONE-PIECE STEEL FRAME



SWIVEL MOUNT

- ONE-PIECE DESIGN
- LOCK PIN
- FORWARD WEIGHTED (P/N SMK-202)



SM	PLUMBING SIZE	1/4"(1/2"OD) CAPACITY ft[m]	3/8"(5/8"OD) CAPACITY ft[m]	1/2"(7/8"OD) CAPACITY ft[m]	WEIGHT
SM12-3-100**	3/8"	150 [46]*	100 [30]		15 [6.8]
SM17-3-250***	3/8"	350 [107]*	250 [76]		26 [12]
SM17-4-125***	1/2"	150 [46]*		125 [38]	26 [12]

* DENOTES HIGHER CAPACITY WHEN A REDUCER IS USED- MAY LOWER MAXIMUM PRESSURE LIMITS
 ** DRUM DIMENSIONS THE SAME AS 112-3-100 (PG 1)
 *** DRUM DIMENSIONS THE SAME AS 112-3-250 (PG 1)

COXREELS
 5865 S Ash Avenue Tempe, Az 85283
 1-800-COX-REEL www.coxreels.com
 THIS DOCUMENT CONTAINS PROPRIETARY INFORMATION AND IS THE PROPERTY OF COXREELS, INC. THE COPYING, DISTRIBUTION AND UTILIZATION OF THIS DOCUMENT AS WELL AS COMMUNICATION OF ITS CONTENT TO OTHERS WITHOUT THE WRITTEN AUTHORIZATION OF COXREELS, INC., IS PROHIBITED.

TITLE: **100 SERIES CHALLENGER**
 DWG. NO.: **100 SERIES** REV. -
 3RD ANGLE INTERPERT PER ASME : Y14.5M-1994 DO NOT SCALE DWG. SIZE: A SHT:2 OF:2