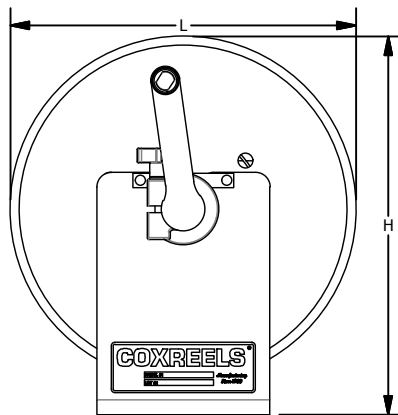
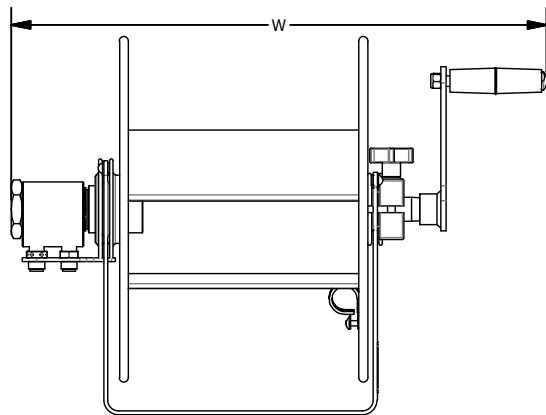
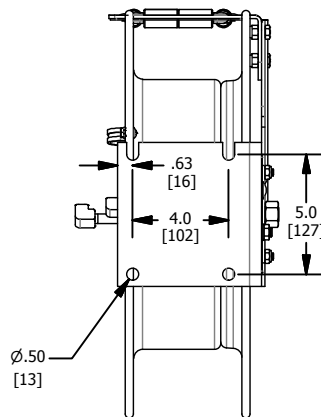
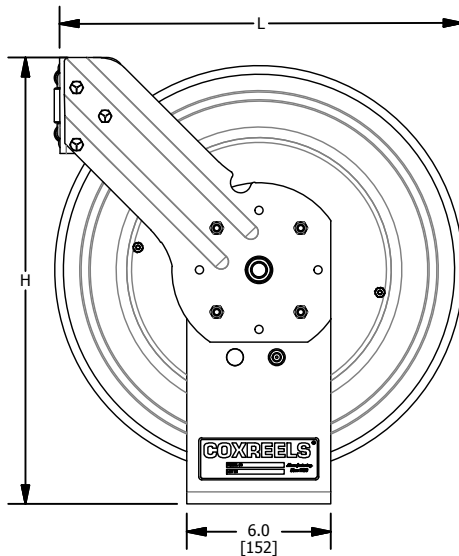
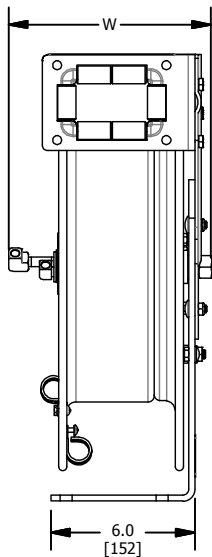


in[mm]



SEE 100 SERIES FOR MOUNTING PATTERN DETAILS

**OXY-ACETYLENE**

MODEL	W	H	L	1/4" CAPACITY	WEIGHT
	in[mm]	in[mm]	in[mm]	ft[m]	lb[kg]
112W-1-50	15.25 [387]	13 [463]	12 [305]	50 [15]	18 [8]
112W-1-100	18.75 [476]	13 [463]	12 [305]	100 [30]	18 [8]
117W-1-200	18.25 [463]	18 [457]	17 [431]	200 [60]	30 [14]

**OTHER FUELS (GRADE T HOSE)**

MODEL	W	H	L	1/4" CAPACITY	WEIGHT
	in[mm]	in[mm]	in[mm]	ft[m]	lb[kg]
112WT-1-50	15.25 [387]	13 [463]	12 [305]	50 [15]	18 [8]
112WT-1-100	18.75 [476]	13 [463]	12 [305]	100 [30]	18 [8]
112WT-1-200	18.25 [463]	18 [457]	17 [431]	2000 [60]	30 [14]

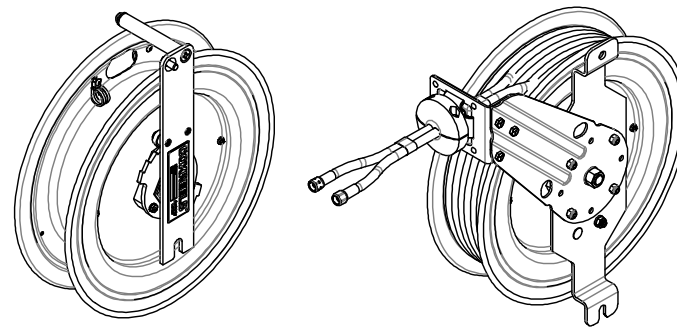
-1275W ON PAGE 2-

**P-W AND SHW SERIES**

MODEL	W	H	L	EZ-COIL	1/4" CAPACITY	WEIGHT
	in[mm]	in[mm]	in[mm]		ft[m]	lb[kg]
P-W-125	8.5 [216]	18.62 [473]	17 [431]	Y	25 [7.6]	39 [17]
P-W-135	8.5 [216]	18.62 [473]	17 [431]		35 [11]	40 [18]
P-W-140	8.5 [216]	18.62 [473]	17 [431]		40 [12]	42 [19]
SHW-N-150	10.25 [260]	21.25 [540]	19.5 [495]	Y	50 [15]	52 [24]
SHW-N-160	10.25 [260]	25.5 [648]	24 [610]		60 [18]	61 [28]
SHW-N-175	10.25 [260]	25.5 [648]	24 [610]	Y	75 [23]	63 [29]
SHW-N-1100	10.25 [260]	25.5 [648]	24 [610]	Y	100 [30]	62 [28]
P-WT-125	8.5 [216]	18.62 [473]	17 [431]	Y	25 [7.6]	39 [18]
SHWT-N-150	10.25 [260]	21.25 [540]	19.5 [495]	Y	150 [45]	52 [24]
SHWT-N-175	10.25 [260]	25.5 [648]	24 [610]	Y	175 [52]	63 [29]
SHWT-N-1100	10.25 [260]	25.5 [648]	24 [610]	Y	100 [30]	62 [28]

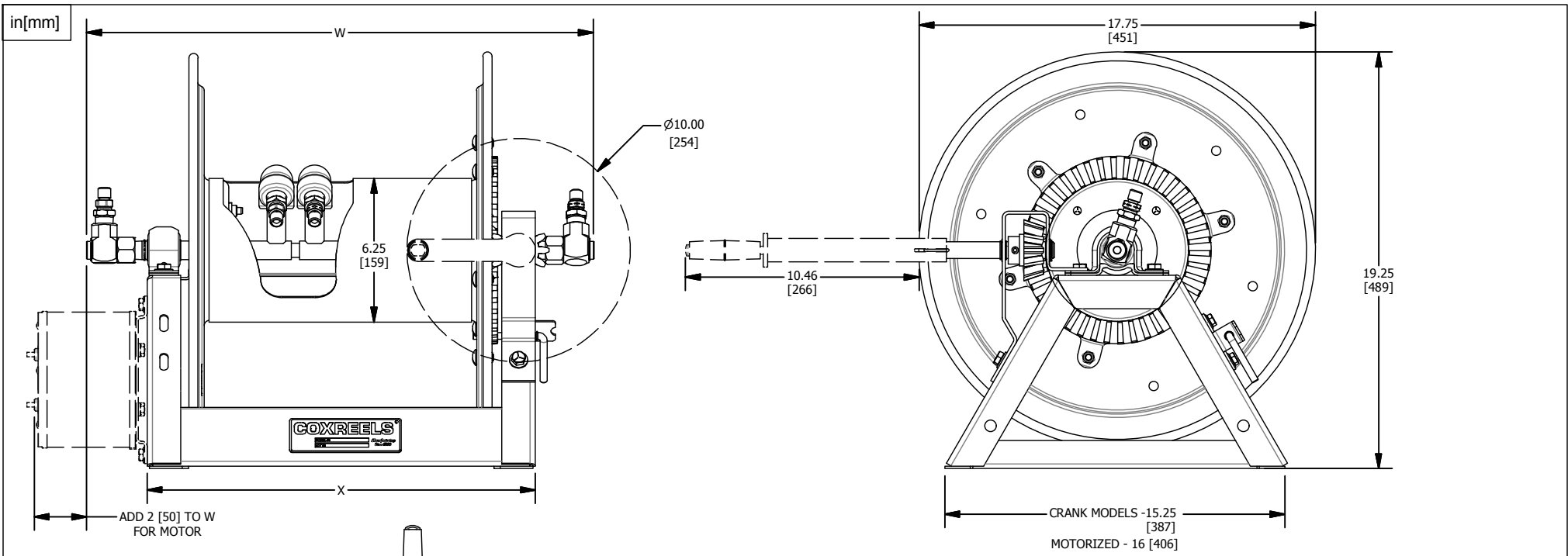
NOTE: P-WT AND SHWT ARE GRADE "T" HOSE- USEFUL FOR WIDE VARIETY OF GASSES IE. MAPP, PROPANE NATURAL AND FUEL

**SW AND SGW SERIES**



- AVAILABLE IN 150 AND 175 FT
- 2-BOLT SIDE MOUNTS
- EZ-COIL AVAILABLE

MATERIAL SPECIFICATIONS		
COMPONENT	MATERIAL	OPTIONS
SWIVEL	BRASS,OXY-ACT	-
SEALS	VITON	-
REEL	STEEL	-
BEARINGS	BRONZE, SELF LUBE 100 ONLY- COMPOSITE	-
BALL STOP	RUBBER	STAINLESS HARDWARE
LOCKING PAWL	BRASS (NON-SPARKING)	-
FINISH	BLUE POWDER COAT (B)	RED(R), GREEN(N), WHITE(W), BLACK [WRINKLE(C)/GLOSS(K)], GREY(G) 100 ONLY-STAINLESS
<b>UNLISTED OPTIONS &amp; CUSTOM REELS</b>	<b>COXREELS</b> 5865 S Ash Avenue Tempe, Az 85283 1-800-COX-REEL www.coxreels.com	<b>TITLE: OXY-ACT / OTHER GASES WELD REELS</b>
NOT ALL OPTIONS ARE LISTED, CONTACT YOUR SALES REPRESENTATIVE OR FACTORY FOR ADDITIONAL OPTIONS & CUSTOM MODIFICATIONS	THIS DOCUMENT CONTAINS PROPRIETARY INFORMATION AND IS THE PROPERTY OF COXREELS, INC. THE COPYING, DISTRIBUTION AND UTILIZATION OF THIS DOCUMENT AS WELL AS COMMUNICATION OF ITS CONTENT TO OTHERS WITHOUT THE WRITTEN AUTHORIZATION OF COXREELS, INC., IS PROHIBITED.	DWG. NO.: <b>XXXW SERIES</b> REV. -
	3RD ANGLE	INTERPERT PER ASME : Y14.5M-1994 DO NOT SCALE DWG. SIZE: A SHT:1 OF: 2



**MOTOR OPTIONS (REPLACE (-X) WITH SUFFIX)**

SUFFIX	TYPE	DESCRIPTION	ADD ON APPRX. LB [KG]
-A	AIR - 4 VANE	ALUMINUM BODY AIR MOTOR	8 [4]
-C	FRONT HAND CRANK	BEVEL GEAR CRANK	3 [1.5]
-H	HYDRAULIC	END PORTED 9/16-18 UNF	6 [2.8]

**OXYGEN-ACETYLENE**

MODEL	W in[mm]	X in[mm]	3/8" CAPACITY ft[m]	WEIGHT lb[kg]
1275W-3-100-X	18.8 [477]	13.4 [340]	50 [15]	45 [20]
1275W-3-150-X	22.8 [579]	17.4 [442]	100 [30]	48 [21]
1275W-3-250-X	28.8 [731]	23.4 [594]	250 [60]	56 [24]
1275W-3-350-X	34.8 [884]	29.4 [747]	350 [107]	64 [28]

**OTHER FUELS (T GRADE HOSE)**

MODEL	W in[mm]	X in[mm]	3/8" CAPACITY ft[m]	WEIGHT lb[kg]
1275WT-3-100-X	18.8 [477]	13.4 [340]	100 [30]	45 [20]
1275WT-3-150-X	22.8 [579]	17.4 [442]	150 [45]	48 [21]
1275WT-3-250-X	28.8 [731]	23.4 [594]	250 [60]	56 [24]

**COXREELS**  
 5865 S Ash Avenue Tempe, Az 85283  
 1-800-COX-REEL www.coxreels.com

THIS DOCUMENT CONTAINS PROPRIETARY INFORMATION AND IS THE PROPERTY OF COXREELS, INC. THE COPYING, DISTRIBUTION AND UTILIZATION OF THIS DOCUMENT AS WELL AS COMMUNICATION OF ITS CONTENT TO OTHERS WITHOUT THE WRITTEN AUTHORIZATION OF COXREELS, INC., IS PROHIBITED.

TITLE: **OXY-ACT / OTHER GASES WELD REELS**

DWG. NO.: <b>XXXW SERIES</b>	REV. -
3RD ANGLE	INTERPERT PER ASME : Y14.5M-1994 DO NOT SCALE DWG.
SIZE: <b>A</b>	SHT: 2 OF: 2