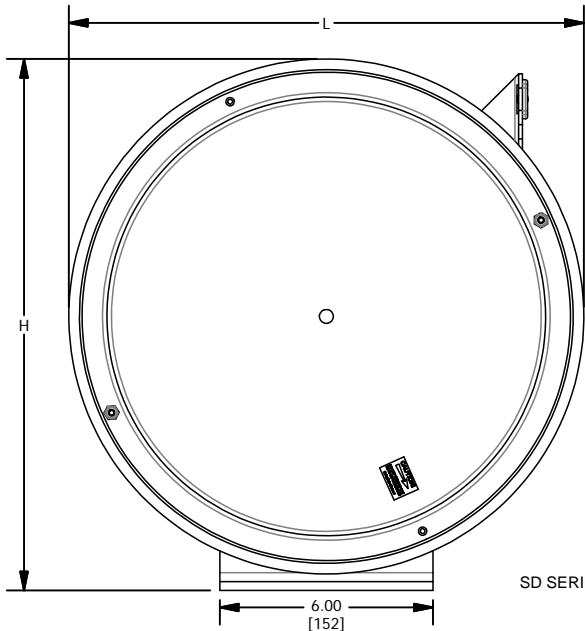
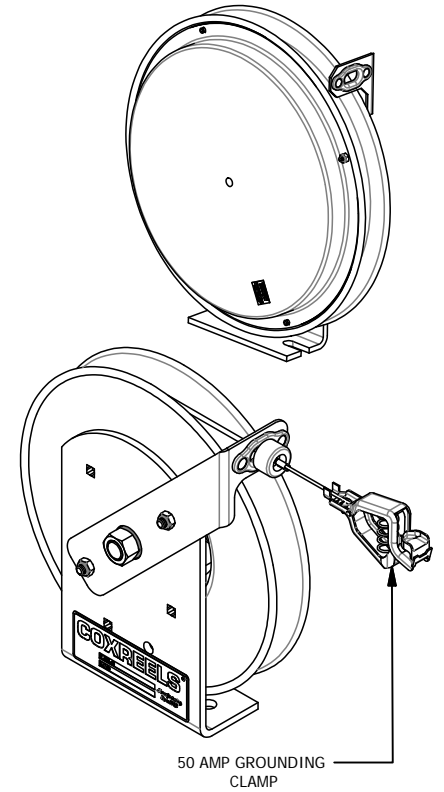
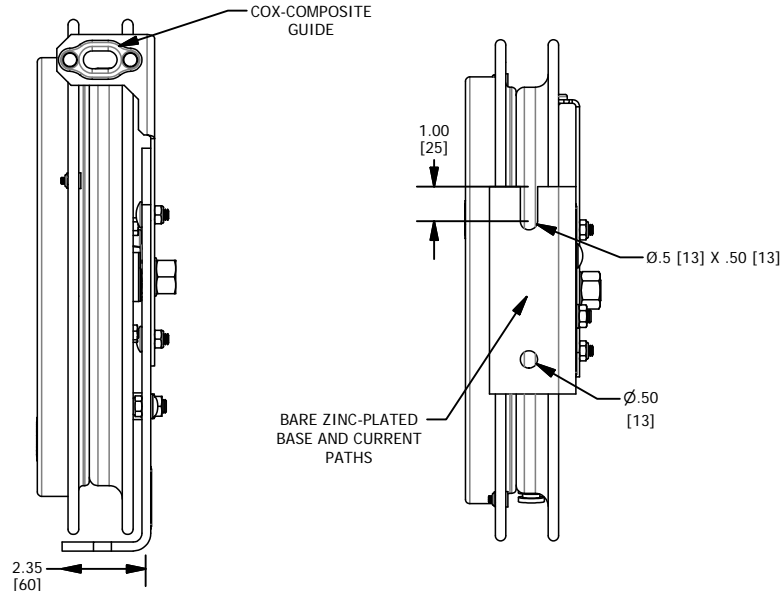


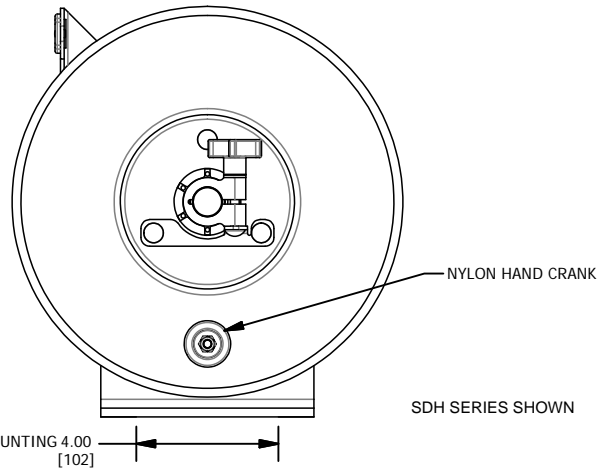
in[mm]



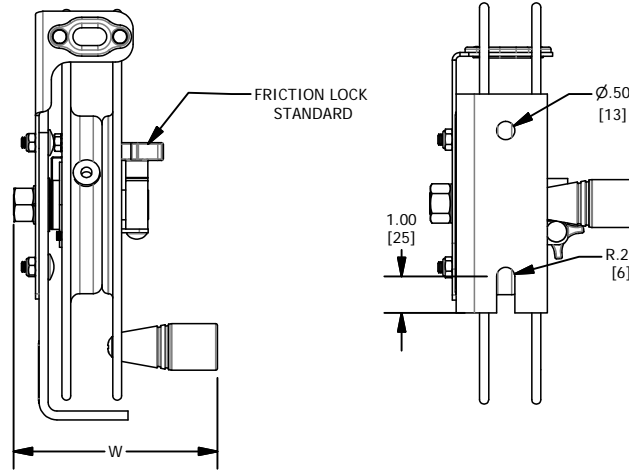
SD SERIES SHOWN



50 AMP GROUNDING CLAMP



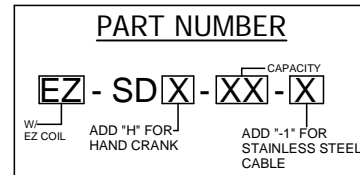
SDH SERIES SHOWN



SPECIFICATIONS		
FEATURE	SPEC.	OPTION
CABLE	7 X 7 GALVANIZED	3/32 STAINLESS
COVERING	HIGH-VIS ORANGE	-
GROUND CLAMP	50-AMP	100-AMP
LOCKING MECHANISM	BRONZE-NON-SPARK	-

MATERIAL SPECIFICATIONS		
COMPONENT	MATERIAL	OPTIONS
REEL	STEEL	STAINLESS STEEL
BEARINGS	BRONZE, SELF LUBE	-
FINISH	BLUE POWDER COAT (B)	RED(R), GREEN(N), WHITE(W), BLACK [WRINKLE(C)/GLOSS(K)], GREY(G)

MODEL	W in[mm]	H in[mm]	Column 4	EZ-COIL	CAPACITY ft[m]	WEIGHT lbs[kg]	Resistance
SD-35	3.87 [98]	11.5 [292]	11 [279]	Y	35 [11]	18 [8.2]	< 10 Ohms
SD-50	3.87 [98]	11.5 [292]	11 [279]	Y	50 [15]	20 [9]	< 10 Ohms
SD-75	4 [102]	15 [381]	14.5 [368]	Y	75 [23]	31 [14]	< 10 Ohms
SD-100	4 [102]	15 [381]	14.5 [368]	Y	100 [30]	32 [14]	< 10 Ohms
SD-35-1	3.87 [98]	11.5 [292]	11 [279]	Y	35 [11]	18 [8.2]	< 10 Ohms
SD-50-1	3.87 [98]	11.5 [292]	11 [279]	Y	50 [15]	20 [9]	< 10 Ohms
SD-75-1	4 [102]	15 [381]	14.5 [368]	Y	75 [23]	31 [14]	< 10 Ohms
SD-100-1	4 [102]	15 [381]	14.5 [368]	Y	100 [30]	32 [14]	< 15 Ohms
SDH-100	5.75 [146]	11.5 [292]	11 [279]		100 [30]	24 [11]	< 10 Ohms
SDH-200	5.75 [146]	11.5 [292]	11 [279]		200 [60]	28 [13]	< 10 Ohms
SDH-100-1	5.75 [146]	11.5 [292]	11 [279]		100 [30]	24 [11]	< 15 Ohms
SDH-200-1	5.75 [146]	11.5 [292]	11 [279]		200 [60]	28 [13]	< 25 Ohms



**UNLISTED OPTIONS & CUSTOM REELS**

NOT ALL OPTIONS ARE LISTED, CONTACT YOUR SALES REPRESENTATIVE OR FACTORY FOR ADDITIONAL OPTIONS & CUSTOM MODIFICATIONS

**COXREELS**

5865 S Ash Avenue Tempe, Az 85283  
 1-800-COX-REEL www.coxreels.com

THIS DOCUMENT CONTAINS PROPRIETARY INFORMATION AND IS THE PROPERTY OF COXREELS, INC. THE COPYING, DISTRIBUTION AND UTILIZATION OF THIS DOCUMENT AS WELL AS COMMUNICATION OF ITS CONTENT TO OTHERS WITHOUT THE WRITTEN AUTHORIZATION OF COXREELS, INC., IS PROHIBITED.

TITLE: SD / SDH SERIES		
DWG. NO.: SD SDH SERIES	REV. -	SIZE: A
3RD ANGLE	INTERPERT PER ASME : Y14.5M-1994 DO NOT SCALE DWG.	SHT:1 OF:1