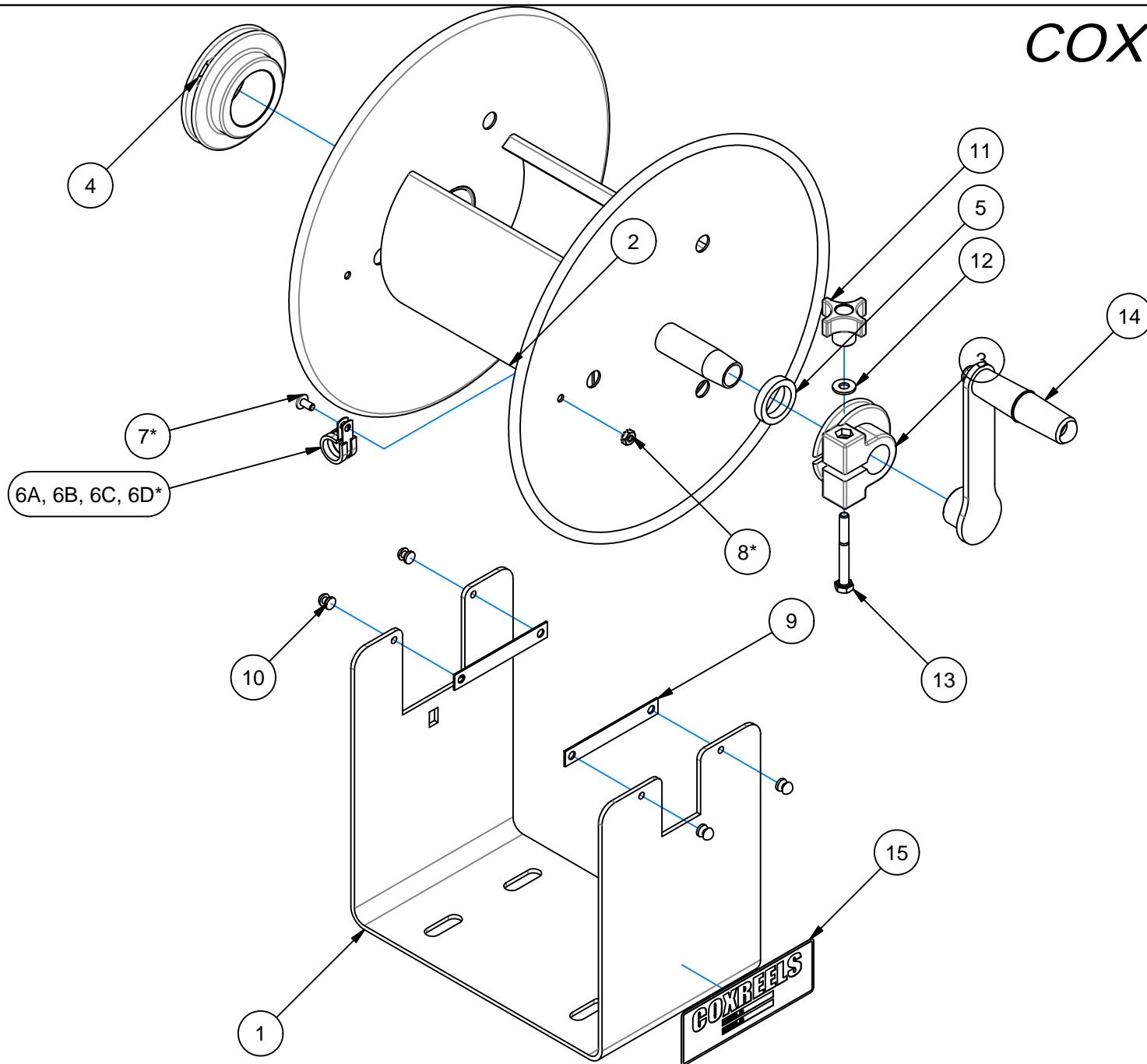


EXP-40Y

REVISION: -
ECO NO.: -
BY: -
DATE: -

COXREELS SERIES 112Y



* ITEMS ARE PLACED
IN A SEPERATE BAG
AND PLACED IN FINAL
PACKAGING.

COMMON PARTS TO ALL "U" FRAME AIR STORAGE CHALLENGER REELS

DETAIL ITEM NO.	PART NO.	DESCRIPTION	112Y-4	112Y-8	112Y-12
1	8553-4	FRAME, "U", CHALLENGER	1		
	8553-8	FRAME, "U", CHALLENGER		1	
	8553-12	FRAME, "U", CHALLENGER			1
2	8590-4.5	ASSY, DRUM: STORAGE CABLE	1		
	8590-8	ASSY, DRUM: STORAGE CABLE		1	
	8590-12.5	ASSY, DRUM: STORAGE CABLE			1
3	6329-1-1	BEARING, EPDM, .877" ID, CRANK SIDE	1	1	1
4	8552	BEARING, EPDM, 1.010" ID, PLUMBING SIDE	1	1	1
5	7145	SPACER	1	1	1
6A	7199	CLAMP, HOSE/CABLE, #7	1	1	1
6B	7199-1	CLAMP, HOSE/CABLE, #6	1	1	1
6C	381	CLAMP, HOSE/CABLE, #10	1	1	1
6D	383	CLAMP, HOSE/CABLE, #12	1	1	1
7	245	SCREW, TRUSS HD, 10-32 X 3/8"	1	1	1
8	130	NUT, KEPS, 10-32	1	1	1
9	15711-1	PLATE, KEEPER, BEARING	2	2	2
10	7105	RIVET, POP, ALUMINUM	4	4	4
11	15719	KNOB, BLACK, PHENOLIC	1	1	1
12	688	WASHER, FLAT, 1/4" SAE	1	1	1
13	7146	BOLT, HEX, 1/4-20 X 2-1/4", GR 5	1	1	1
14	7272-1	CRANK ARM ASSEMBLY	1	1	1
15	10925-5	NAMEPLATE, PRODUCT, STD DECAL	1	1	1

REVISION: -

ECO: -

DATE: 7/12/2006

Name: M. LLOYD