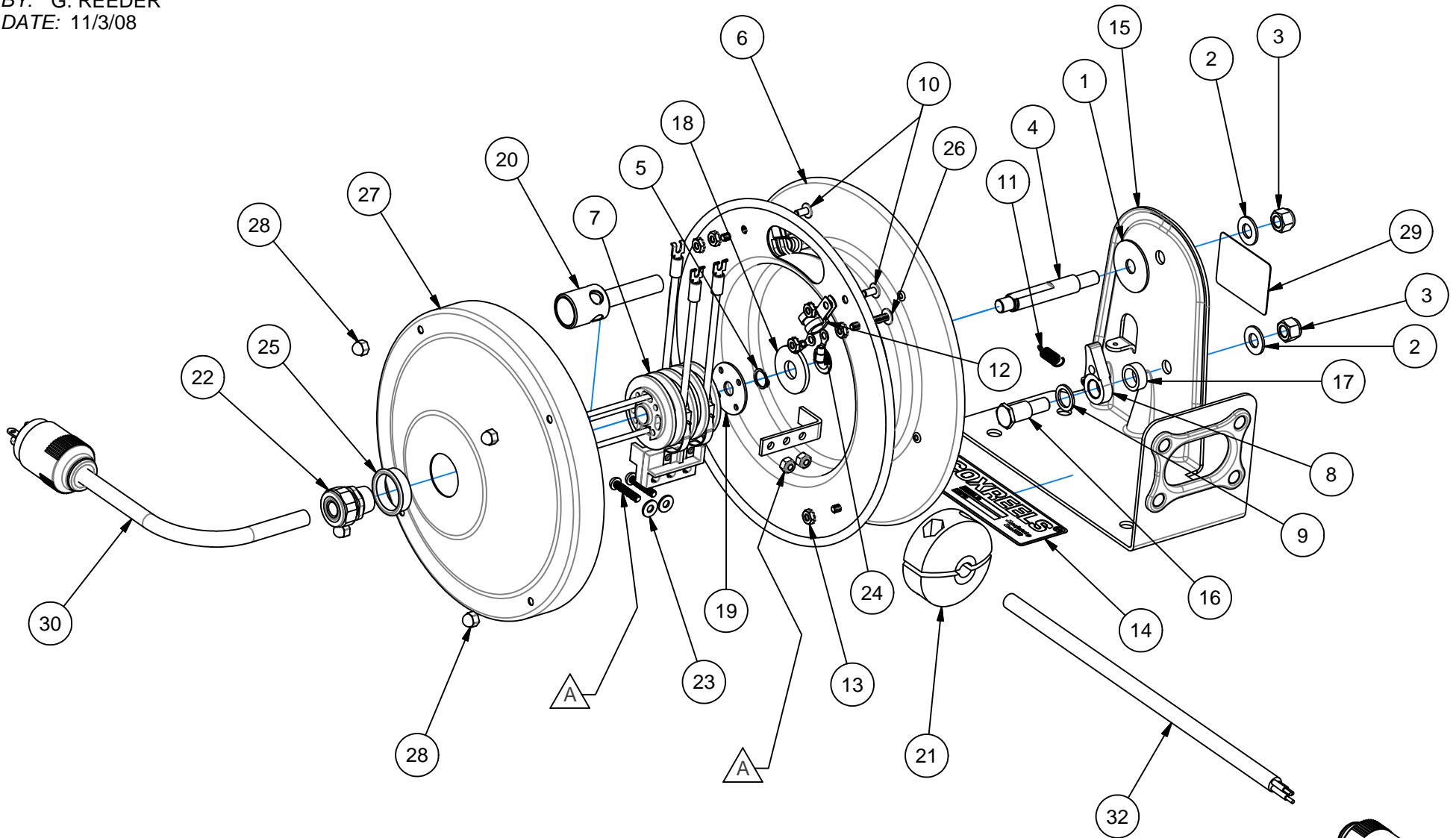


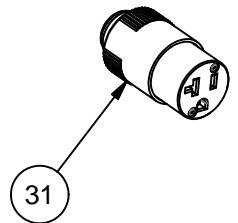
EXP-16

REVISION: -
ECO NO.: -
BY: G. REEDER
DATE: 11/3/08

COXREELS PC10 SERIES



A ITEM 7, SLIP RING ASSEMBLY, IS TO BE PARTIALLY DISASSEMBLED AS FOLLOWS: THE TWO MOUNTING SCREWS AND NUTS THAT SECURE THE TWO "L-BRACKETS" TO THE SIDES OF THE SLIP RING ASSEMBLY ARE TO BE REMOVED. MOUNTING SCREWS AND NUTS ARE TO BE SAVED, AND L-BRACKETS ARE TO BE DISCARDED. ITEMS 23, FLAT WASHERS, ARE TO BE USED UNDER THE SCREW HEADS, AND THE MOUNTING SCREWS AND NUTS ARE TO BE REUSED TO MOUNT THE SLIP RING ASSEMBLY. MOUNTING NUTS TO BE MOUNTED ON OUTSIDE OF MOUNTING BRACKET, AS SHOWN.



PC10 SERIES

DETAIL ITEM NO.	PART NO.	DESCRIPTION	PC10L-3016	PC10-3016-A	PC10-3016-C	PC10-3016-D	PC10-3016-E	PC10-3016-F	PC10-3016-X	PC10-3016-4	PC10L-3012	PC10-3012-A	PC10-3012-B	PC10-3012-F	PC10-3012-X	PC10-2512-4	
1	8425	WASHER: 3/8" FENDER, 1.5" O.D.	1	1	1	1	1	1	1	1	1	1	1	1	1	1	
2	157	WASHER: 3/8" NARROW	2	2	2	2	2	2	2	2	2	2	2	2	2	2	
3	435	NUT: 3/8-16 NYLOCK	2	2	2	2	2	2	2	2	2	2	2	2	2	2	
4	8604	AXLE: 1/2" DIAMETER	1	1	1	1	1	1	1	1	1	1	1	1	1	1	
5	6326	RING: 1/2" RETAINING	1	1	1	1	1	1	1	1	1	1	1	1	1	1	
6	8823	ASSEMBLY: SPRING AND DRUM	1	1	1	1	1	1	1	1	1	1	1	1	1	1	
7	7155	SLIP RING: 20-AMP, 3-CONDUCTOR	1	1	1	1	1	1	1	1	1	1	1	1	1	1	
	7156	SLIP RING: 20-AMP, 4-CONDUCTOR	-	-	-	-	-	-	-	-	-	-	-	-	-	-	
8	640-1-SS	DOG: LOCKING	1	1	1	1	1	1	1	1	1	1	1	1	1	1	
9	6441-1	WASHER: SPACER, .065"	1	1	1	1	1	1	1	1	1	1	1	1	1	1	
10	245	SCREW: #10-32 X 3/8" PHILLIPS HEAD	2	2	2	2	2	2	2	2	2	2	2	2	2	2	
11	274-1-SS	SPRING: LOCK DOG	1	1	1	1	1	1	1	1	1	1	1	1	1	1	
12	7199	CLAMP: #7 CABLE	-	-	-	-	-	-	-	-	2	2	2	2	2	2	
	7199-1	CLAMP: #6 CABLE	2	2	2	2	2	2	2	2	-	-	-	-	-	-	
13	130	NUT: #10-32 KEPS	7	7	7	7	7	7	7	7	7	7	7	7	7	7	
14	10925-5	LABEL: STANDARD	1	1	1	1	1	1	1	1	1	1	1	1	1	1	
15	8591	ASSEMBLY: BASE, BENCH REEL	1	1	1	1	1	1	1	1	1	1	1	1	1	1	
16	1620	BOLT: 1/2" SHOULDER, CUSTOM	1	1	1	1	1	1	1	1	1	1	1	1	1	1	
17	6440-SS	SPACER: .286" W X .75" O.D.	1	1	1	1	1	1	1	1	1	1	1	1	1	1	
18	8374	WASHER: 1/2" NYLON	1	1	1	1	1	1	1	1	1	1	1	1	1	1	
19	8820	RETAINER: ANTI-ROTATION	1	1	1	1	1	1	1	1	1	1	1	1	1	1	
20	8819	PORT: INLET, PC10 CORD REEL	1	1	1	1	1	1	1	1	1	1	1	1	1	1	
21	131	STOP: 1/4" HOSE	-	-	-	-	-	-	-	-	-	1	1	1	1	1	
	131-1	STOP: PC REEL	-	1	1	1	1	1	1	1	-	-	-	-	-	-	
22	7168-1	RELIEF: STRAIN, .25" - .35"	1	1	1	1	1	1	1	1	-	-	-	-	-	-	
	7168-2	RELIEF: STRAIN, .35" - .45"	-	-	-	-	-	-	-	-	1	1	1	1	1	-	
	7168-3	RELIEF: STRAIN, .50" - .60"	-	-	-	-	-	-	-	-	-	-	-	-	-	1	
23	9023	WASHER: #10 FLAT	2	2	2	2	2	2	2	2	2	2	2	2	2	2	
24	7175-1	TERMINAL: 16-14 GAGE X #10 RING	1	1	1	1	1	1	1	1	-	-	-	-	-	-	
	7175-2	TERMINAL: 12-10 GAGE X #10 RING	1	1	1	1	1	1	1	1	2	2	2	2	2	2	
25	7167-1	BUSHING: OPEN, PLASTIC	1	1	1	1	1	1	1	1	1	1	1	1	1	1	
26	8822	SCREW: #10-32 X 1-1/4" TRUSS HEAD	4	4	4	4	4	4	4	4	4	4	4	4	4	4	
27	8821	COVER: PC10 REEL	1	1	1	1	1	1	1	1	1	1	1	1	1	1	
28	7196	NUT: #10-32 ACORN	4	4	4	4	4	4	4	4	4	4	4	4	4	4	
29	10935	LABEL: CORD REEL USE	1	1	1	1	1	1	1	1	1	1	1	1	1	1	
30	7198	CABLE: 16/3 X 5' W/ MOLDED PLUG	-	1	-	1	1	1	1	-	-	-	-	-	-	-	
	7247	CABLE: 16/3 X 5' W/ BALLAST & PLUG	-	-	1	-	-	-	-	-	-	-	-	-	-	-	
	7173-16	CABLE: 16/4 SJO, BULK	-	-	-	-	-	-	-	5 FT.	-	-	-	-	-	-	
	7174-2	CABLE: 12/3 X 5' W/ PLUG	-	-	-	-	-	-	-	-	-	1	1	1	1	-	
	7173-12	CABLE: 12/4 SJO, BULK	-	-	-	-	-	-	-	-	-	-	-	-	-	5 FT.	
31	7188-5	OUTPUT CABLE: 16/3 SJO X 30' W/ PLUG	-	1	-	-	-	-	-	-	-	-	-	-	-	-	
	7208-5	LIGHT: 16/2 X 30' FLUORESCENT TUBE	-	-	1	-	-	-	-	-	-	-	-	-	-	-	
	7207-5	LIGHT: 16/3 X 30' FLUORESCENT W/ RECEPT.	-	-	-	1	-	-	-	-	-	-	-	-	-	-	
	7206-5	LIGHT: 16/3 X 30' INCANDESCENT W/ RECEPT.	-	-	-	-	1	-	-	-	-	-	-	-	-	-	-
	7205-1	RECEPTACLE: DUPLEX GFCI, 15-AMP	-	-	-	-	-	1	-	-	-	-	-	-	-	-	-
	7205-2	RECEPTACLE: DUPLEX GFCI, 20-AMP	-	-	-	-	-	-	-	-	-	-	-	1	-	-	-
	7215-2	RECEPTACLE: SINGLE, 20-AMP	-	-	-	-	-	-	-	-	-	1	-	-	-	-	-
	7203-2	ASSY.: QUAD BOX, 20-AMP	-	-	-	-	-	-	-	-	-	-	1	-	-	-	-
32	7172-16	CABLE: 16/3 SJO, BULK	-	-	-	-	-	30 FT.	30 FT.	-	-	-	-	-	-	-	
	7173-16	CABLE: 16/4 SJO, BULK	-	-	-	-	-	-	-	30 FT.	-	-	-	-	-	-	
	7172-12	CABLE: 12/3 SJO, BULK	-	-	-	-	-	-	-	-	-	30 FT.	30 FT.	30 FT.	30 FT.	-	
	7173-12	CABLE: 12/4 SJO, BULK	-	-	-	-	-	-	-	-	-	-	-	-	-	25 FT.	
33*	7176-1	WIRE NUT: ORANGE	-	5	5	5	5	5	5	5	-	-	-	-	-	-	
	7176-2	WIRE NUT: YELLOW	-	-	-	-	-	-	-	-	-	5	5	5	5	5	

* ITEM NOT SHOWN

ACCESSORIES

A	SINGLE RECEPTICAL	E	CAGED INCANDESCENT LIGHT
B	QUAD BOX RECEPTICAL	F	DUPLEX GFCI RECEPTICAL
C	FLUORESCENT TUBE LIGHT	X	NONE, CABLE ONLY
D	FLUORESCENT ANGLE LIGHT	4	FOUR-WIRE CABLE READY

REVISION: -

ECO: -

DATE: 11/19/2008

NAME: G. REEDER